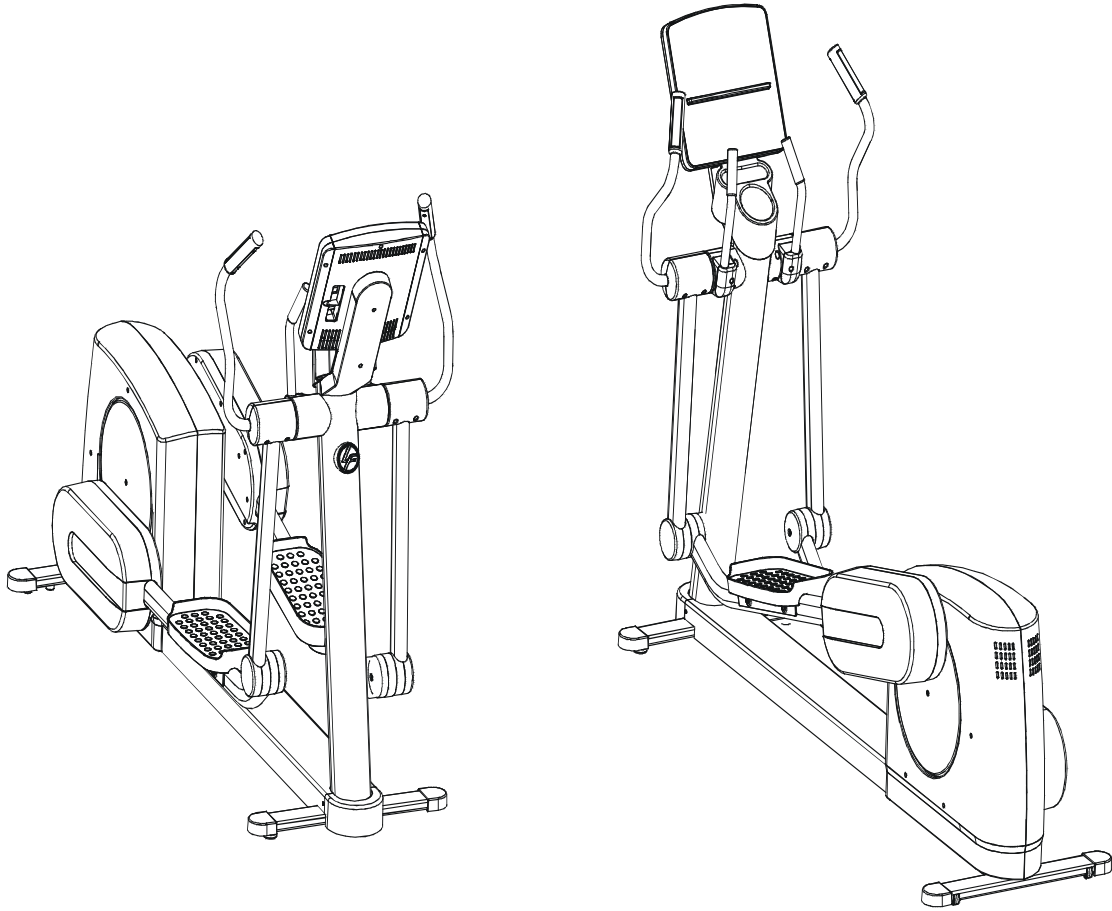


LifeFitness

CROSS TRAINER 95X-0XXX-01



Customer Support Services
PARTS MANUAL rev 31 Jul 2008

CROSS TRAINER 95Xi
REFERENCES

95X-0XXX-01
S/N XTD100000

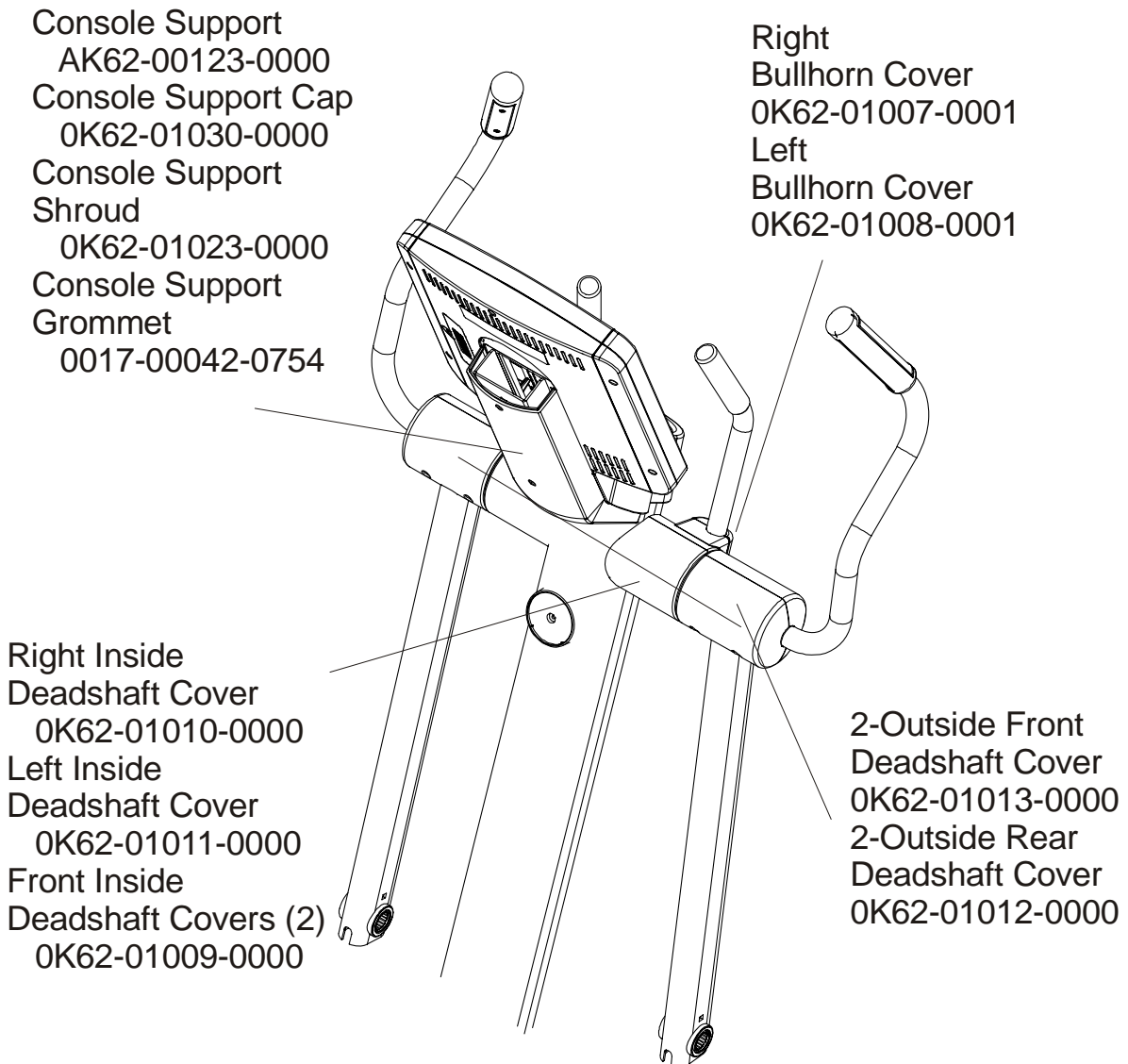
OPERATION MANUAL	M051-00K62-A107
SERVICE MANUAL	M051-00K62-A060
HARDWARE BAG	AK62-00152-0001
PLUG IN OPTION 120/60	GK62-00002-0018
PLUG IN OPTION 240/50 UK	GK62-00002-0019
PLUG IN OPTION 240v AUS	GK62-00002-0020
PLUG IN OPTION 230/50 CONT.	GK62-00002-0021

	Page
CONSOLE SUPPORT & DEADSHAFT COVERS	4
HANDLEBARS AND BULLHORNS	5
CONSOLE AND RELATED COMPONENTS.....	6
UPPER FRAME HARDWARE	7
ROCKER ARMS AND PEDAL LEVERS	8
CRANK COVER AND LOWER CAPS	9
LOWER FRAME SHROUDS AND HARDWARE.....	10
PEDAL LEVER COMPONENTS	11
DRIVE MODULE COMPONENTS AND MAIN CABLE	12
DRIVE MODULE HARDWARE	13
CABLES	14

Note: The 95Xi comes with both Telemetry and LifePulse Sensors.

CROSS TRAINER 95Xi
Console Support & Deadshaft Covers

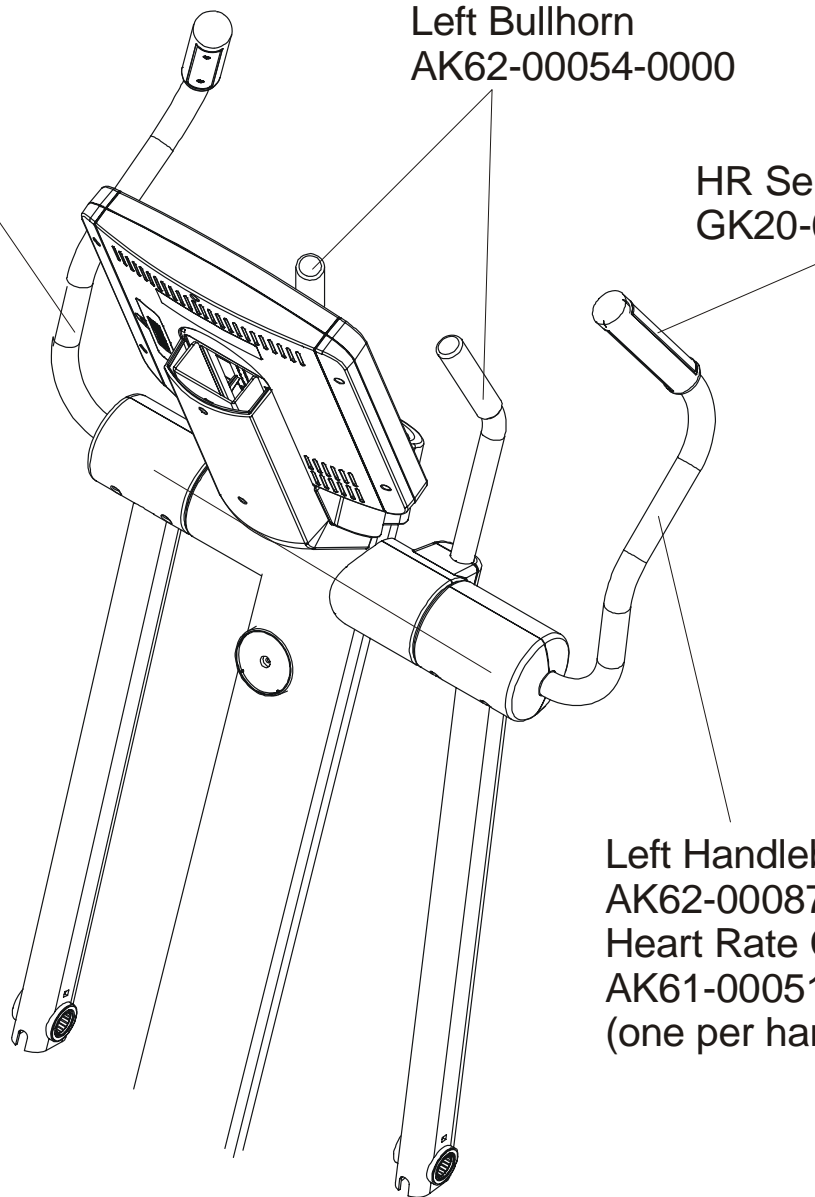
95X-0XXX-01
S/N XTD100000



Right Handlebar
AK62-00086-0000

*Right Bullhorn
AK62-00053-0000
Left Bullhorn
AK62-00054-0000

HR Sensor Kit
GK20-00002-0005

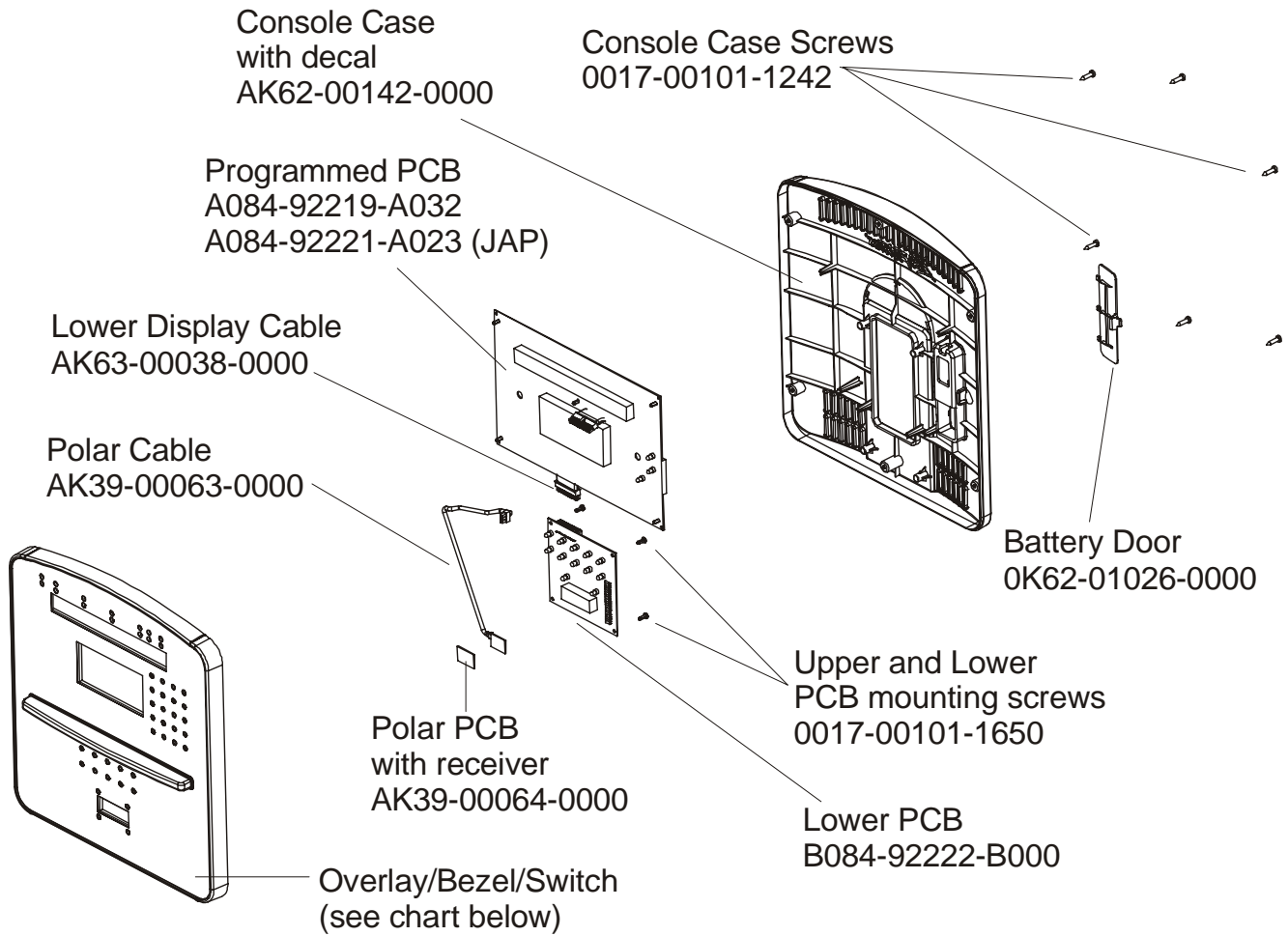


Left Handlebar
AK62-00087-0000
Heart Rate Cable
AK61-00051-0000
(one per handlebar)

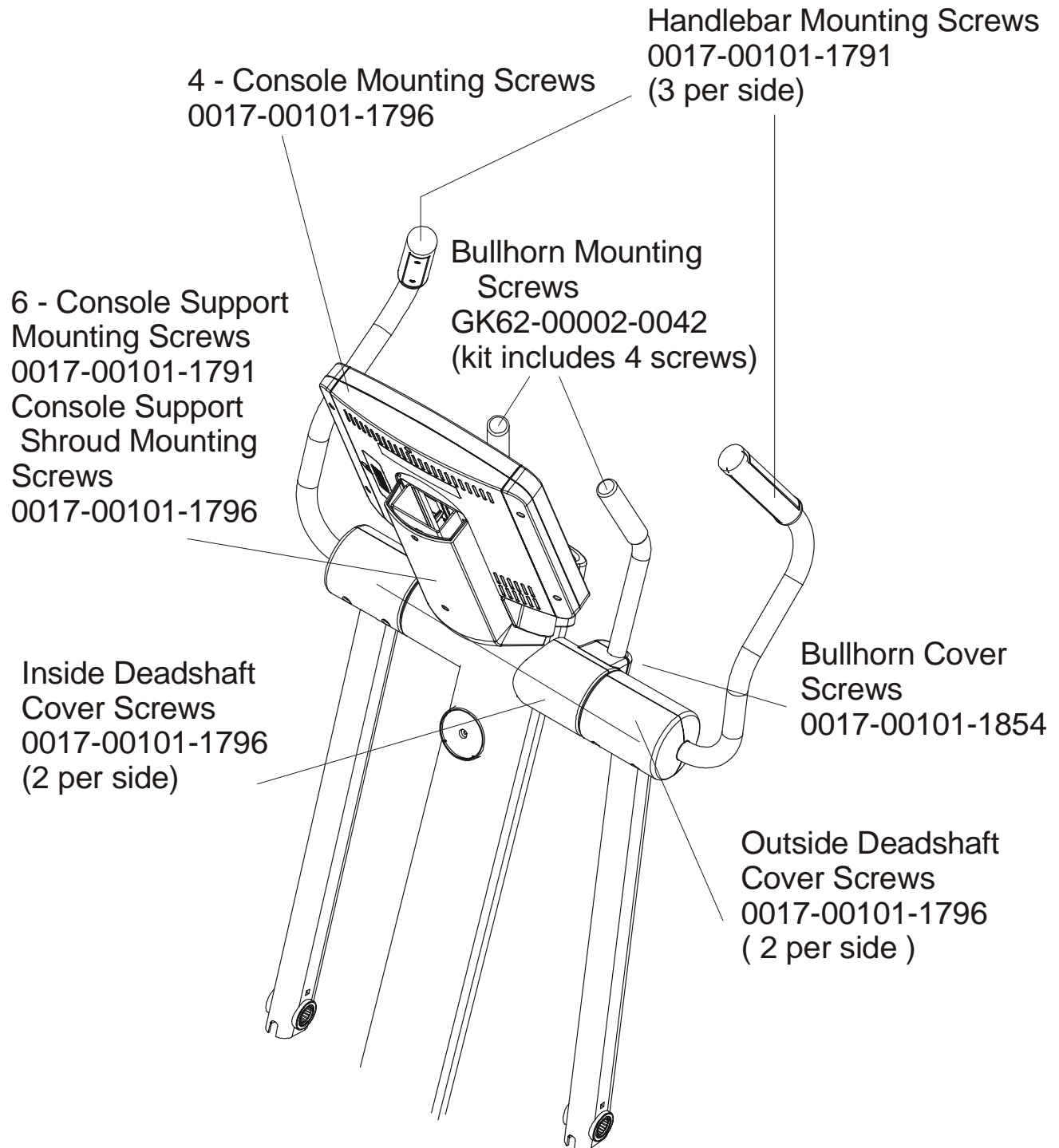
*Right Bullhorn Assembly consists of: AK62-00057-0000 Bullhorn,
0K62-01136-0000 Grip and 0K62-01199-0000 Gasket
Left Bullhorn Assembly consists of: AK62-00058-0000 Bullhorn,
0K62-01136-0000 Grip and 0K62-01199-0000 Gasket

CROSS TRAINER 95Xi
Console & Related components

95X-0XXX-01
S/N XTD100000



CONSOLE	OVERLAY/BEZEL/SWITCH	LANGUAGE
AK62-00149-0001	AK62-00191-0001	Eng + Met
AK62-00149-0003	AK62-00191-0003	Ger/Met
AK62-00149-0004	AK62-00191-0004	Spn/Met
AK62-00149-0006	AK62-00191-0006	Jap/Met
AK62-00149-0007	AK62-00191-0007	Frn/Met
AK62-00149-0008	AK62-00191-0008	Ital/Met
AK62-00149-0009	AK62-00191-0009	Dut/Met
AK62-00149-0010	AK62-00191-0010	Port/Met



Items Not Shown:

Accessory Tray	0K62-01022-0000
Mounting Screws (2)	0017-00101-1846

CROSS TRAINER 95Xi
Rocker Arms & Pedal Levers

95X-0XXX-01
S/N XTD100000

Rocker Arms Kit
GK62-00002-0070
contents:

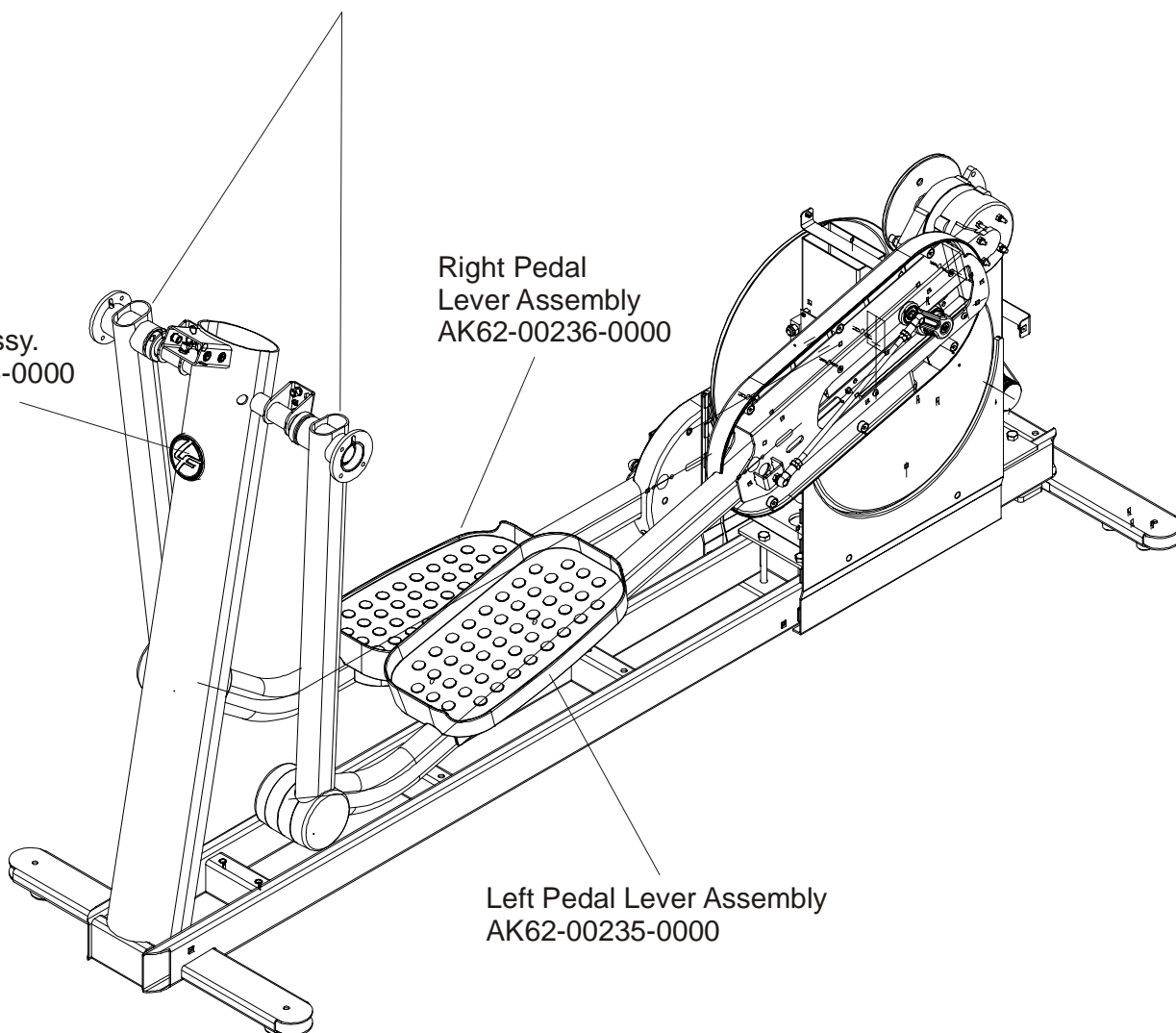
- Rocker Arms (2)
- Hardened Spacers (2)
- Oilite Washers (2)
- Retaining Rings (2)
- Loctite 620*
- Alcohol pad

Rocker Arms
AK62-00002-0070
Shaft Collar w/Screws
0K61-01259-0000

LF Bug
Medallion Assy.
AK58-00245-0000

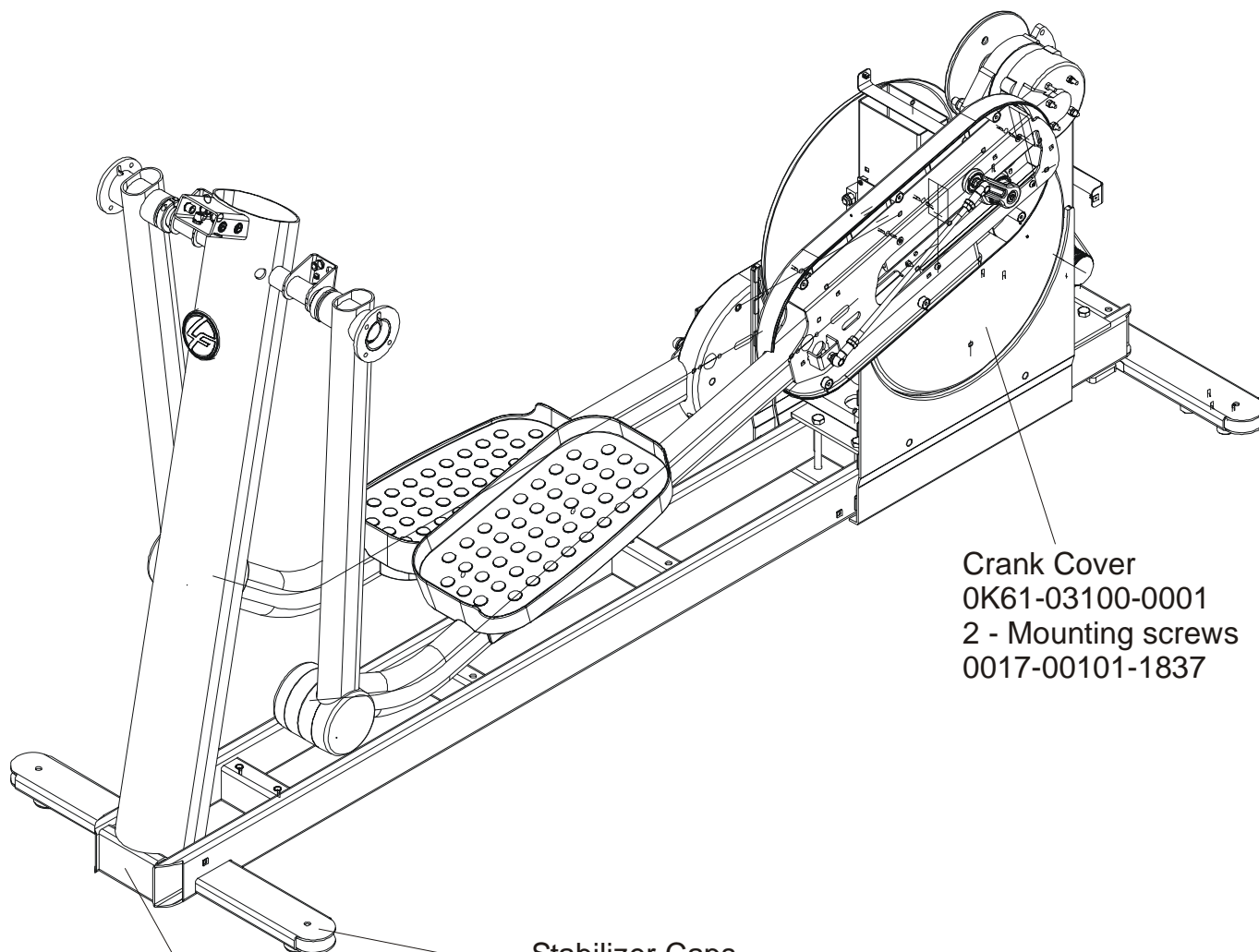
Right Pedal
Lever Assembly
AK62-00236-0000

Left Pedal Lever Assembly
AK62-00235-0000



CROSS TRAINER 95Xi
Crank Cover and Lower Caps

95X-0XXX-01
S/N XTD100000



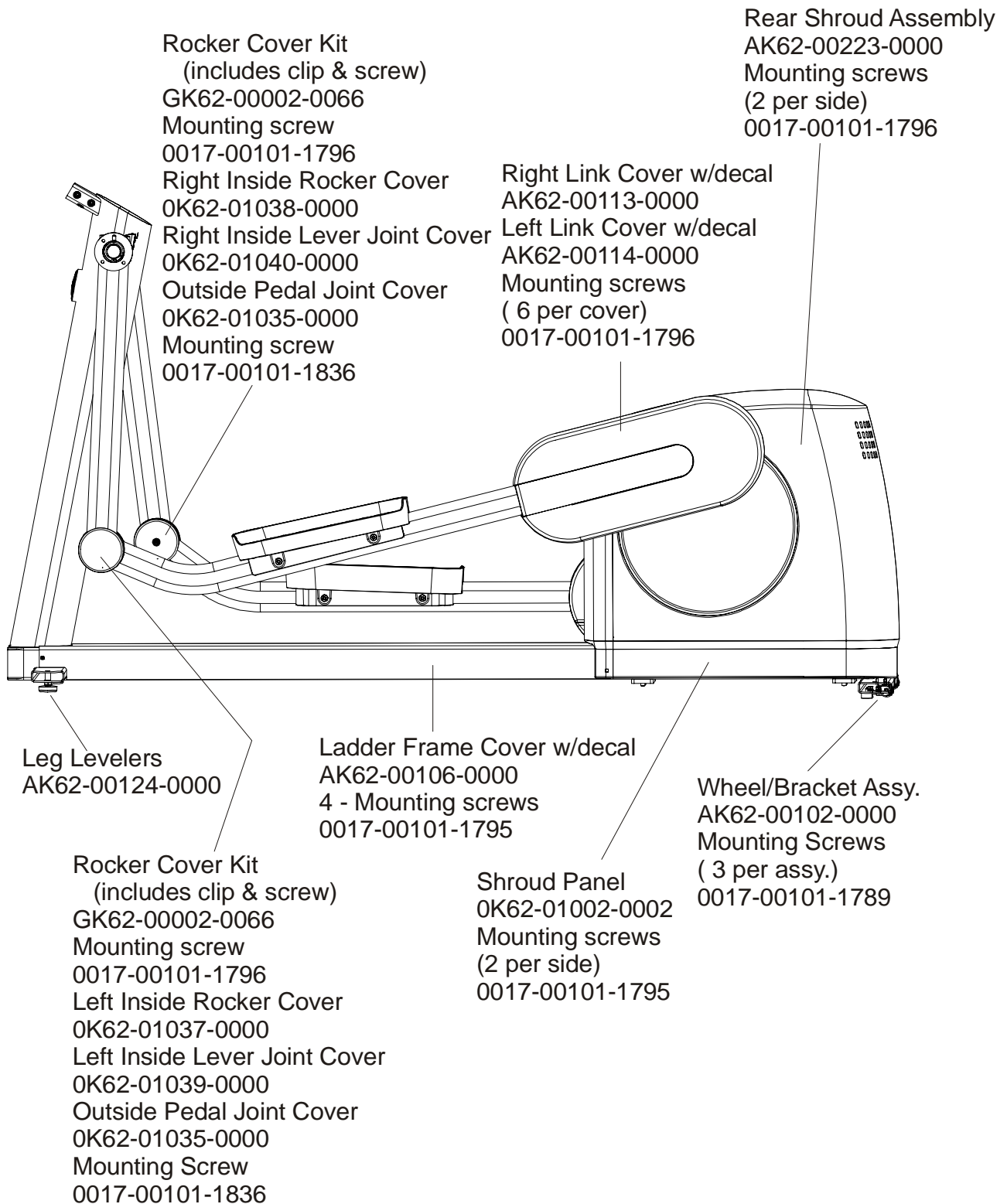
Crank Cover
OK61-03100-0001
2 - Mounting screws
0017-00101-1837

Stabilizer Caps
4 - OK62-01003-0000

Front frame Cap
OK62-01004-0000
Mounting Screws
(Located on front sides of Ladder Frame Cover)
2- 0017-00101-1795

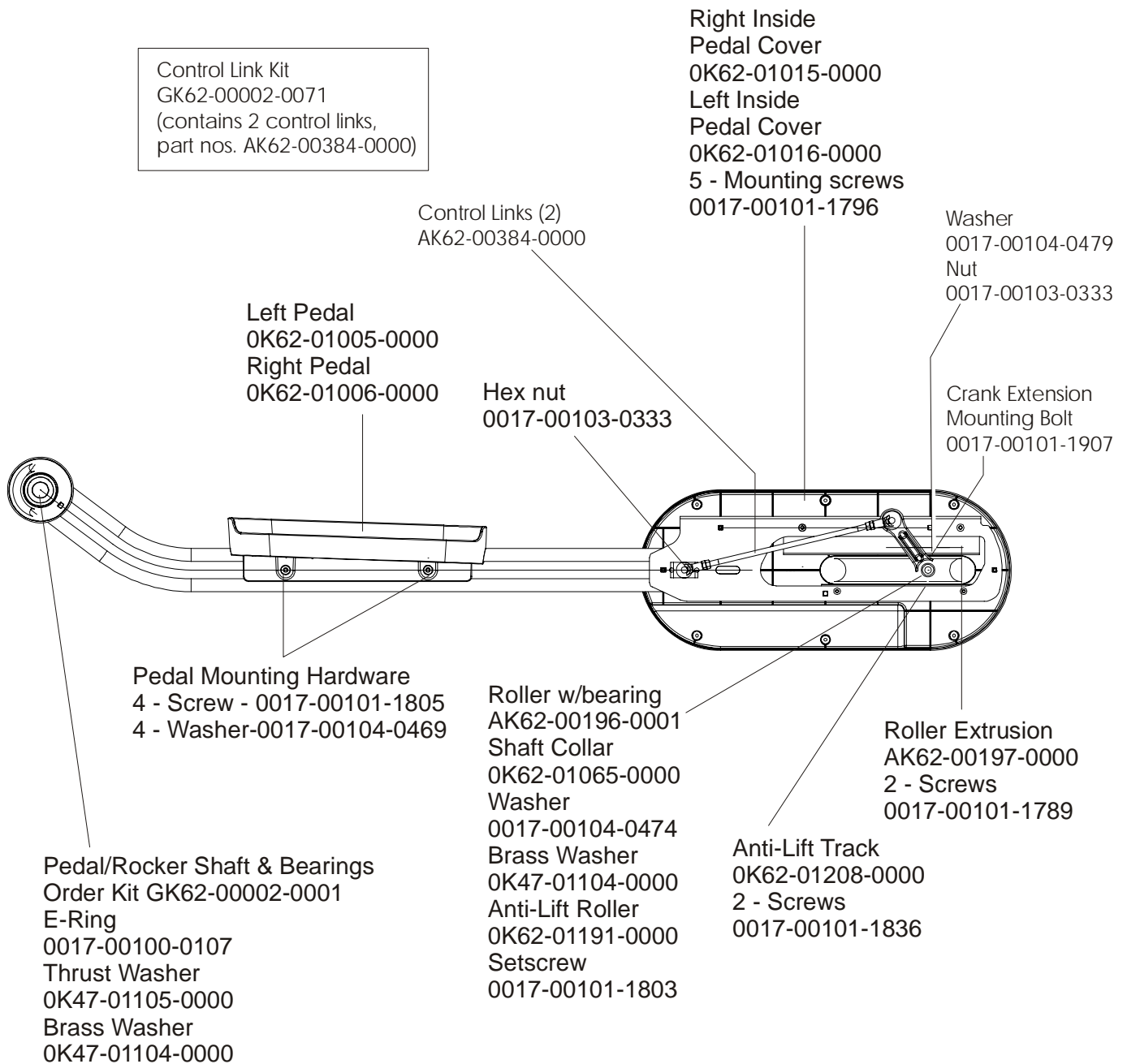
CROSS TRAINER 95Xi
Lower Frame Shrouds & Hardware

95X-0XXX-01
S/N XTD100001



CROSS TRAINER 95Xi
Pedal Lever Assembly Components

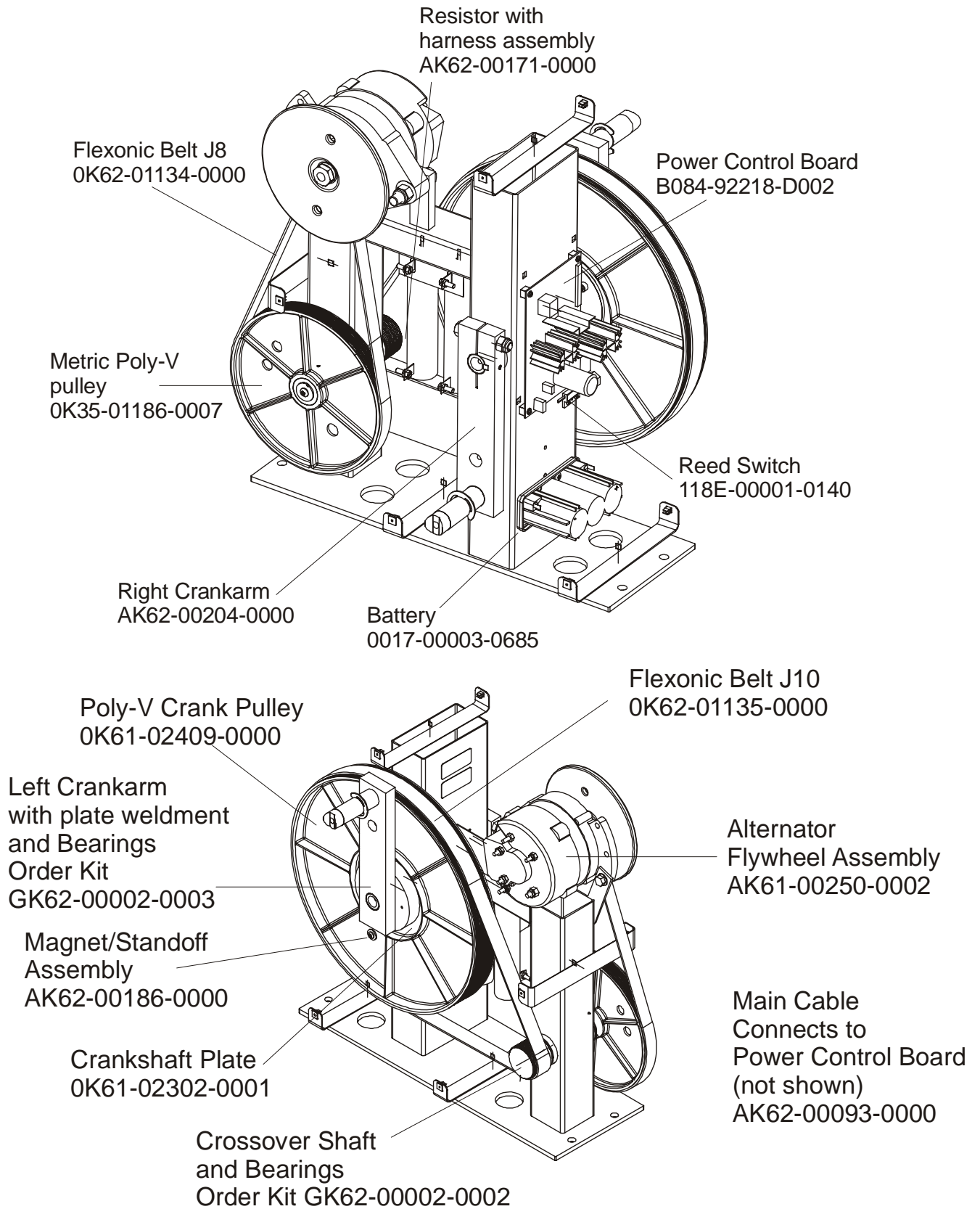
95X-0XXX-01
S/N XTD100000



Note: If replacing the Tie Rod Assembly or Crank Extension for the first time, order kit GK62-00002-0015. Both sides must be replaced simultaneously in this situation.

CROSS TRAINER 95Xi
Drive Module components & Cable

95X-0XXX-01
S/N XTD100000



CROSS TRAINER 95Xi
Drive Module Hardware

95X-0XXX-01
S/N XTD100000

